

FEATURES AND SPECIFICATIONS

Features and Benefits

- Fully customizable and expandable to meet your application needs
- One connector system to meet both your power and signal needs
- Offers connector consolidation and PCB real estate savings by having power and signal in one connector
- Easy to assemble or disassemble
- Uses existing interfaces, so no requalification is usually necessary
- Pods and shrouds are gender interchangeable

Reference Information

Product Specification: PS-43510-001 and PS-5556-001

Packaging: Bag

Tooling Information: Hand tools, applicators, TM-42

UL File No.: E29179

CSA File No.: LR19980

Mates With: 43511 mates with 43514, 43954 or 43955

Use With: 43838 or 43839 shrouds

Designed In: Millimeters

Electrical

Voltage: 600V

Current: Standard terminal—8.0A

HCS terminal—11.0A

Contact Resistance: 10mΩ max.

Dielectric Withstanding Voltage: 1500V AC

Insulation Resistance:

1000 MΩ min.

Mechanical

Contact Insertion Force: 1.5kg max.

Contact Retention to Housing: 3.0kg min.

Wire Pull-Out Force: 9.0kg min.

Mating Force: 0.7kg (1.54 lb) max.

Unmating Force: 0.05kg (0.11 lb) min.

Normal Force: 200g min.

Durability: 30 cycles

Physical

Housing: Black polyester, UL 94V-0

Contact: Brass or Phosphor Bronze

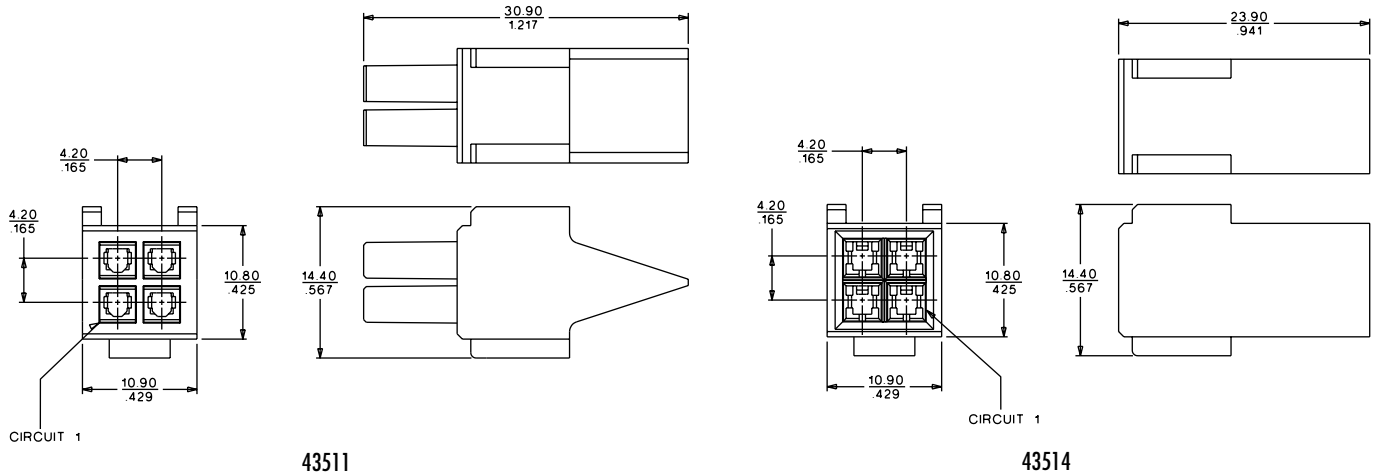
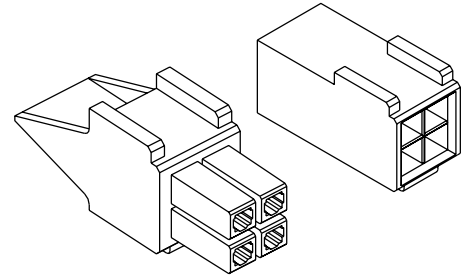
Plating: Tin, select Gold or overall Gold

Temperature: -40 to +105°C

molex® 12.30mm (.484") Pitch COMPODRE Wire-to-Wire, Wire-to-Board Pod, Plug and Receptacle

43511/43514

Mini-Fit, Jr.™ Plug and Receptacle Pod



43511

43514

ORDERING INFORMATION

Description	Order No.
4-Circuit Mini-Fit, Jr. Receptacle Pod	43511-0001
4-Circuit Mini-Fit, Jr. Plug Pod	43514-0001